

AP119G MiniApp

Wall hung wc with goclean® system (fixing kit included art. 9006)

Complements: **Thermosetting wrapping seat&cover** (QKCW02)
Soft-closing thermosetting wrapping seat&cover (QKCW03)
SLIM thermosetting seat&cover (QKCW04)
SLIM soft-closing thermosetting seat&cover (QKCW05)
Line accessories: TWO - HOOP - NOKE' - FOLD

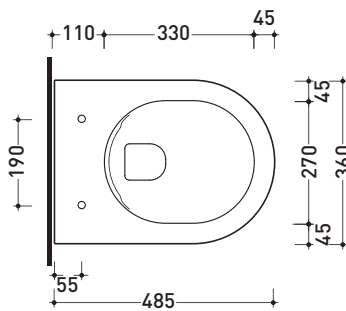
Technical accessories: **Universal fixing bracket for wall hung wc/bidet** (41/P)

Package dim. | Weight **21,5 kg** | Pz. Pallet n° **18**

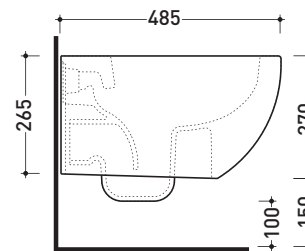


CE UNI EN 997

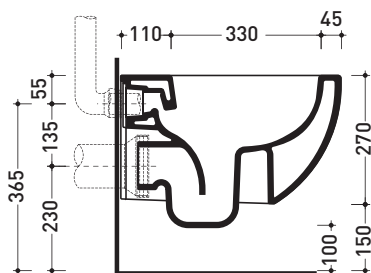
Dop-No997



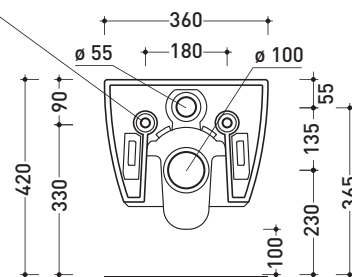
vista zenitale / zenital view



vista laterale / lateral view



sezione longitudinale / section

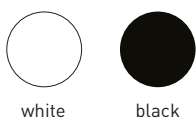


vista retro / back view

sizes in mm

Please consider a 2% tolerance on indicated measurements

CERAMIC: glossy finish



matt finish

